

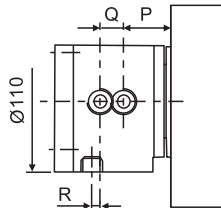
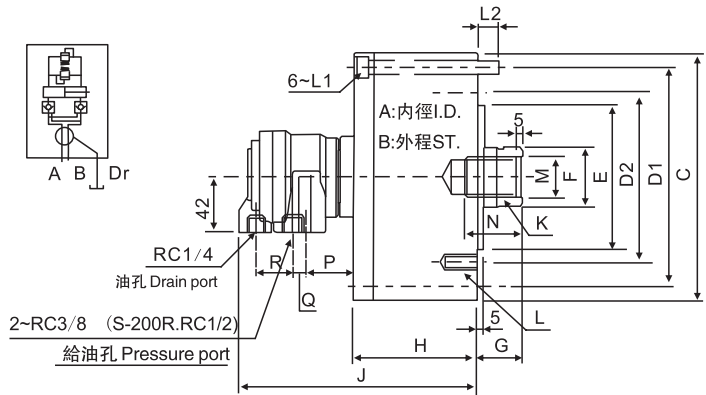
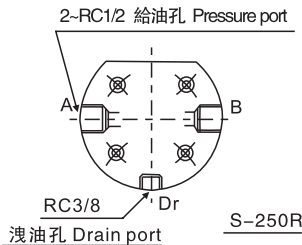
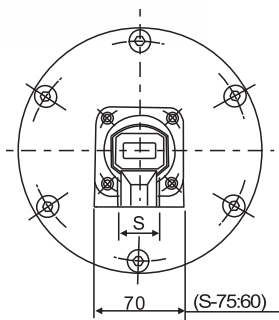
# > S-R SERIES

## 中實回轉油壓缸附逆止閥

## ROTARY HYDRAULIC CYLINDER WITH SAFETY DEVICE



- ◎ 短型, 高速, 輕量型回轉油壓缸。
- ◎ 內建逆止閥自鎖機構及壓力洩壓閥。
- ◎ 安裝時可由後端鎖固之。
- ◎ For short form, light weight and high speed rotary cylinder.
- ◎ Built-in safety check valves and pressure relief valves.
- ◎ Can screw it from the rear end of the cylinder when mounting.
- ◎ 洩油孔配管務必單獨接回油壓槽, 以避免產生背壓。
- ◎ The drain port should be independently connected to oil tank to avoid back pressure.



規格 Spec 型號 Model	活塞面積 Eff. piston area cm <sup>2</sup>		行程 (mm) Piston stroke	最高回轉速 max r.p.m	最大使用壓力 Max. Operating Pressure MPa(kgf/cm <sup>2</sup> )	慣性矩 kg·m <sup>2</sup>	重量(kg) Weight
	伸側 Extend	拉側 Retract					
S-75R	44.2	37.1	15	6000	4.0(40)	0.01	2.9
S-100R	78.5	71.5	20				
S-125R	122.7	113.1	25				
S-150R	176.7	160.8	30	5500	0.09	9.5	
S-200R	314.1	290.4	35				
S-250R	469.1	436.0	60				

規格 Spec 型號 Model	A	B	C	D1	D2	E h7	F	G		H	J	K	L	L1	L2	M	N	P	Q	R	S
								max	min												
S-75R	75	15	107	90	65	30	45	30	57	148	M20x2.5	6~M8x16	M8x60		21	35	41.5	27.5	26		
S-100R	100	20	132	115	100	80	30	45	72	163	M20x2.5	6~M10x20	M8x75	12	21	35	39.5	10			
S-125R	125	25	160	140	130	110	35	50	82	172	M24x3.0	6~M12x20	M8x85		25	45	38.5				
S-150R	150	30	190	170	130	110	45	55	95	184	M30x3.5	12~M12x24	M10x100	16	32	45	37		28.5	32	
S-200R	200	35	245	220	145	120	55	70	115	201	M36x4.0	12~M16x30	M10x125	21	38	60	38	6			
S-250R	245	60	307	275	220	160	65	85	165	255	M42x3.0	12~M20x35	M16x175	28	45	65	33	18	6	28	

\* 保留技術更改的權利, 恕不另行通知 Subject to technology changes without prior information  
 \* 非標需求可訂做 Non-standard requirements can be made